

# BNX012H01

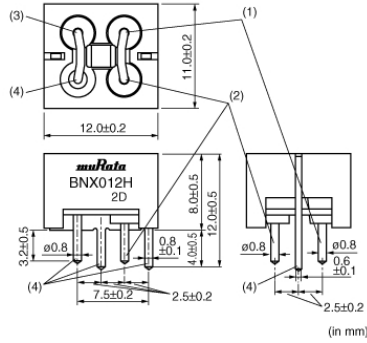
In Production

AEC-Q200

RoHS

REACH

## Appearance & Shape



## Features

BNX012H series is noise suppression filter and ESD surge protection filter for Automotive. Suitable for the power supply circuits which is large current and wide frequency range.

### Features

1. Large rated current(15A) and Low DC Resistance (0.8m ohm-Typ.)
2. High insertion loss characteristic over a wide frequency range of 1MHz to 1GHz
3. Low profile (height: 8.0mm except lead terminal)

### Applications

Noise suppression and ESD surge protection for power lines such as ECU, DC-DC Converters, and Inverter circuits.

## Applications

Automotive Usage	Powertrain/Safety
------------------	-------------------

## Packaging Information

Packaging	Specifications	Standard Packing Quantity
-	Box	150

### Attention

- 1.This datasheet is downloaded from the website of Murata Manufacturing Co., Ltd. Therefore, it's specifications are subject to change or our products in it may be discontinued without advance notice. Please check with our sales representatives or product engineers before ordering.
- 2.This datasheet has only typical specifications because there is no space for detailed specifications. Therefore, please review our product specifications or consult the approval sheet for product specifications before ordering.

# BNX012H01



## Specifications

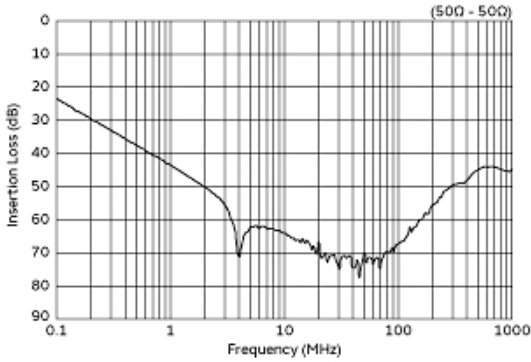
Shape	Lead
Length	12.0mm
Length Tolerance	±0.2mm
Width	11.0mm
Width Tolerance	±0.2mm
Thickness	8.0mm
Thickness Tolerance	±0.5mm
Rated Current	15A
Operating Temperature Range	-55°C to 125°C
Mass(typ.)	2.0g
Rated Voltage	50Vdc
Withstanding Voltage	125Vdc
Insulation Resistance(min.)	500MΩ
Insertion Loss	1MHz to 1GHz:40dB min. (Line impedance=50Ω)

### Attention

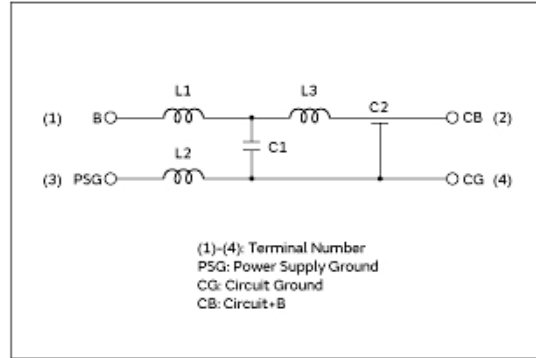
- 1.This datasheet is downloaded from the website of Murata Manufacturing Co., Ltd. Therefore, it's specifications are subject to change or our products in it may be discontinued without advance notice. Please check with our sales representatives or product engineers before ordering.
- 2.This datasheet has only typical specifications because there is no space for detailed specifications.  
Therefore, please review our product specifications or consult the approval sheet for product specifications before ordering.

# BNX012H01

## Product Data



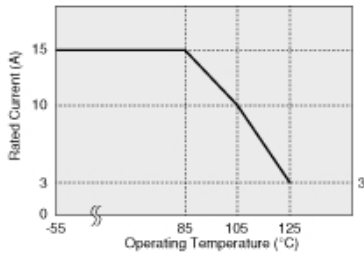
Insertion Loss Characteristics



Equivalent Circuit

In operating temperatures exceeding +85°C, derating of current is necessary for BNX012H series. Please apply the derating curve shown in chart according to the operating temperature.

Derating of Rated Current



Derating of Rated Current

In case of using ± power line, please connect to each terminal as shown.

Power Supply (BNX Input)	BNX	Circuit (BNX Output)
Power Supply + Bias	B CB	- Load Circuit + Bias
Power Supply Ground	PSG CG	- Load Circuit Ground
Power Supply - Bias	B CB	- Load Circuit - Bias
Power Supply Ground	PSG CG	- Load Circuit Ground

Derating of Rated Current

### Attention

- 1.This datasheet is downloaded from the website of Murata Manufacturing Co., Ltd. Therefore, it's specifications are subject to change or our products in it may be discontinued without advance notice. Please check with our sales representatives or product engineers before ordering.
- 2.This datasheet has only typical specifications because there is no space for detailed specifications. Therefore, please review our product specifications or consult the approval sheet for product specifications before ordering.

# Mouser Electronics

Authorized Distributor

Click to View Pricing, Inventory, Delivery & Lifecycle Information:

[Murata:](#)

[BNX012H01](#)